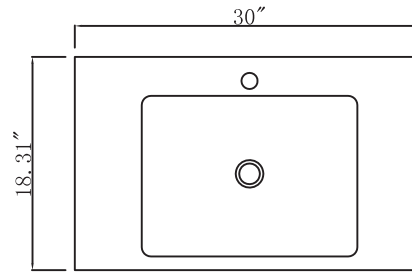
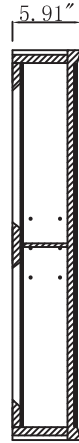
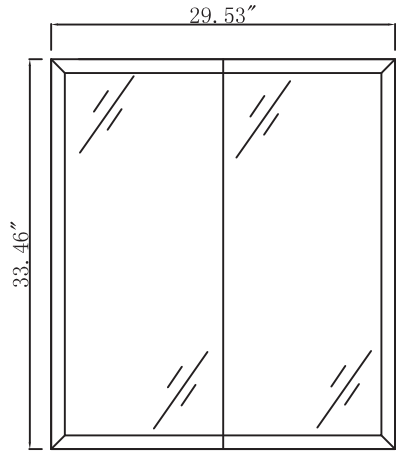
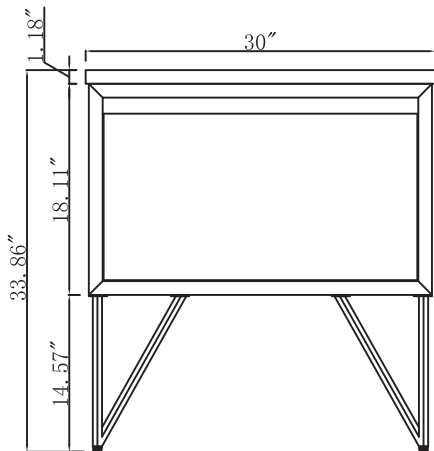
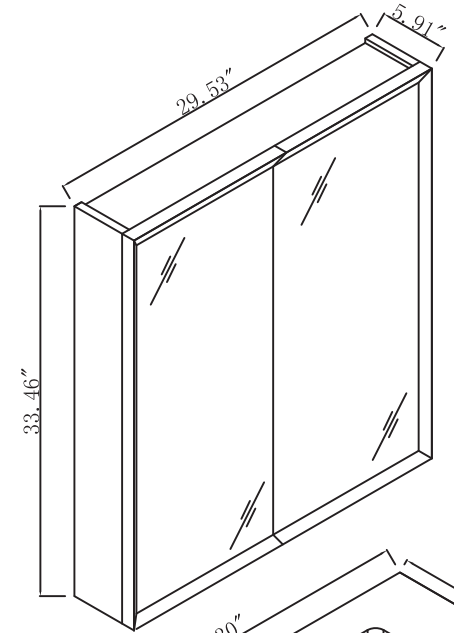


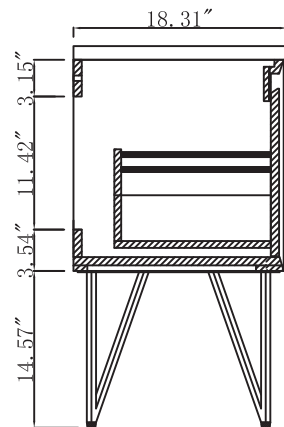
30" wide with medicine cabinet



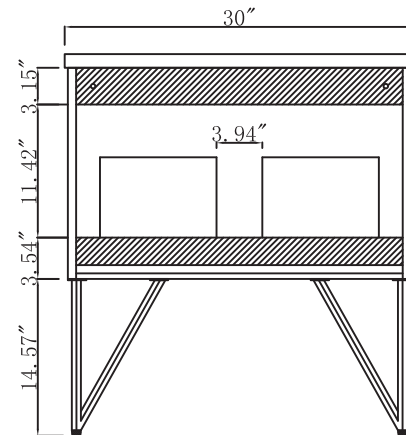
Top View



Front View



Side View



Back View

